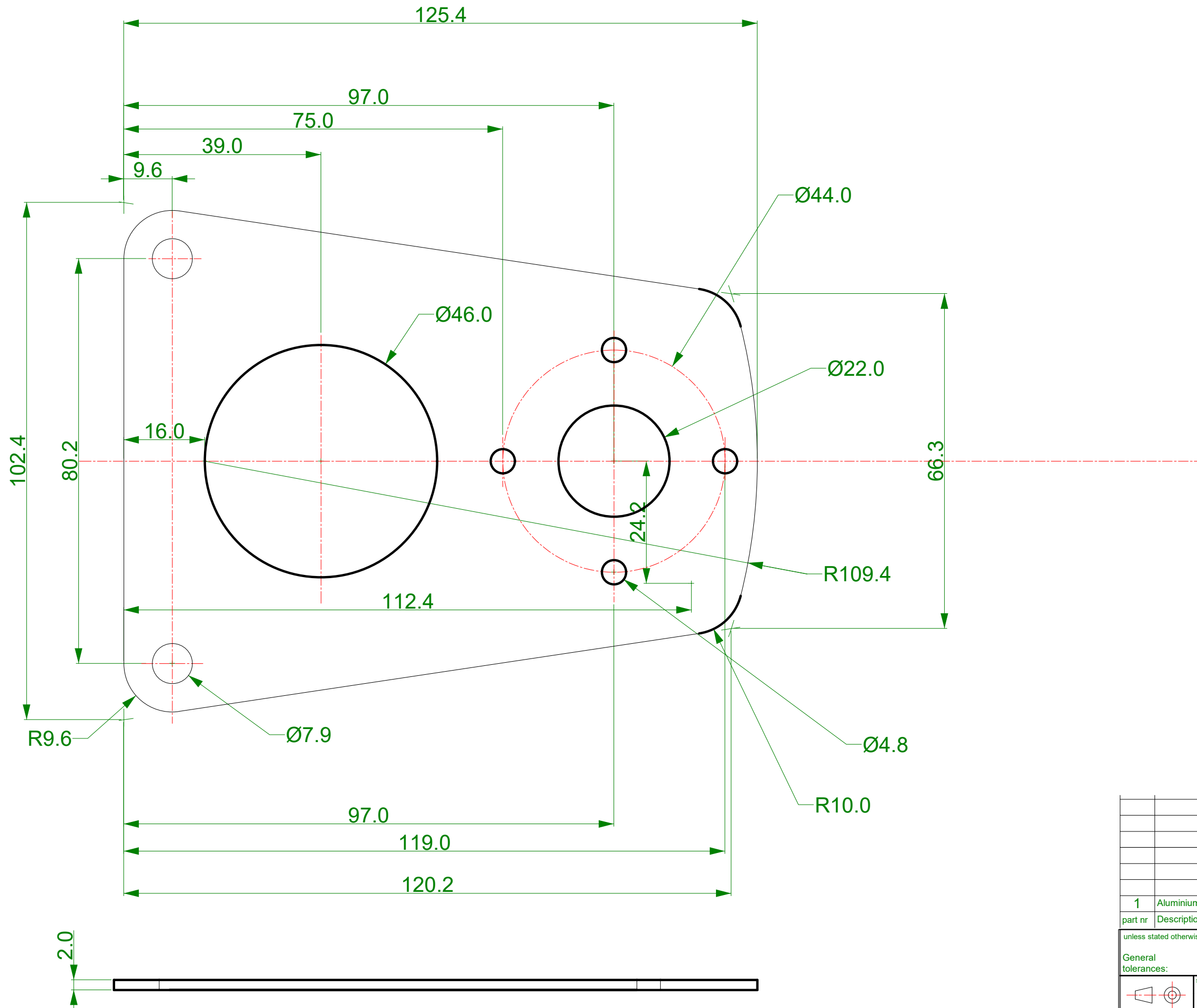


Huom!
Näitä tarvitaan 2 kpl

Note!
2 of these are required.



part nr	Description	Quality	Dimensions	ea
1	Aluminium plate	2 mm	6061-T6, ISO AlMg1SiCu	2

unless stated otherwise:		Sharp edges removed.		
General tolerances:	Size: ±	Angle: ±	°	
scale	date created	assembly		
	13.12.2018	P8-2710-01018		

Aileron bellcrank		Siiveke keinuvipu		
ok HTH www.hooteehoo.org	rev A	Drawing nr P8-2710-01323	sheet 1	of (1)

rev	date	Description
A	21.3.2024	redesign of aileron control line