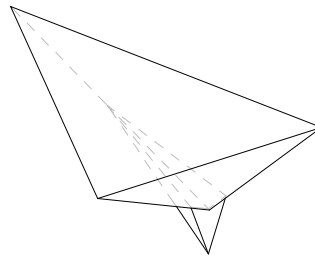
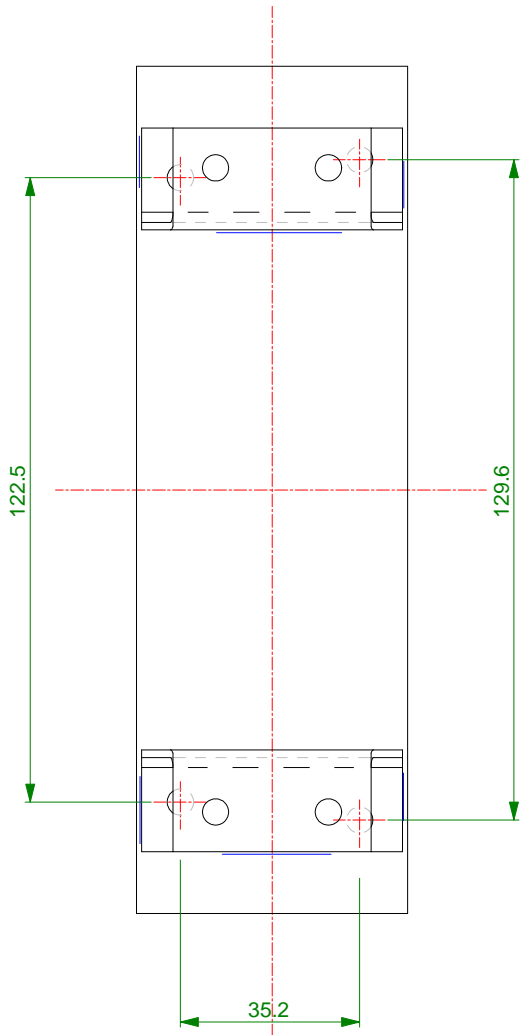


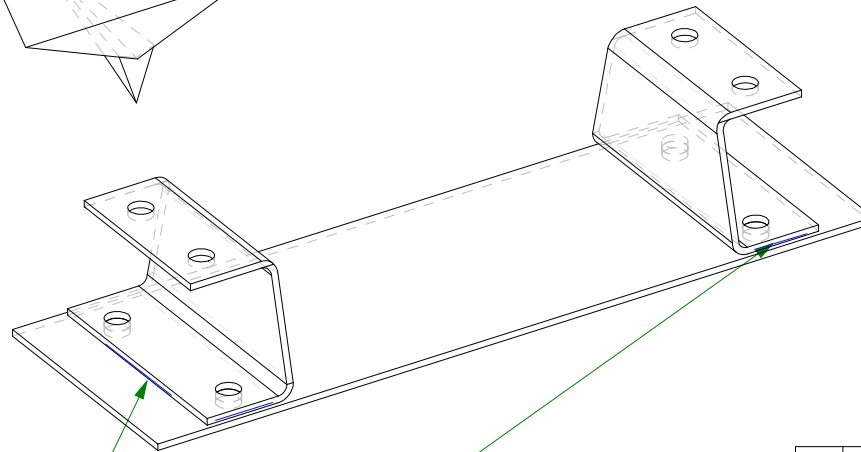
Drill holes for AN3 bolts after welding.

Poraa AN3 pulteille reiät hitsauksen jälkeen.



Weld U profiles from three sides.

Hitsaa U profiilit kolmelta sivulta.



3			
2	End U profile	3220-00076	2
1	Base plate	3220-00068	1
part nr	Description	Quality	Dimensions ea

unless stated otherwise:		Sharp edges removed.	
General tolerances:	Size: †	Angle: †	°
	scale	date created	assembly
		19.8.2018	P8-3220-00042

**Bracket sbassy** Kiinnikkeen akp

ok HTH www.hooteehoo.org	rev	Drawing nr P8-3220-00050	sheet 1	of (1)
-----------------------------	-----	-----------------------------	------------	-----------